

Product Guide

Standard Robust Humidistat



today, tomorrow and in the future

mselectronics.co.uk

Product Overview

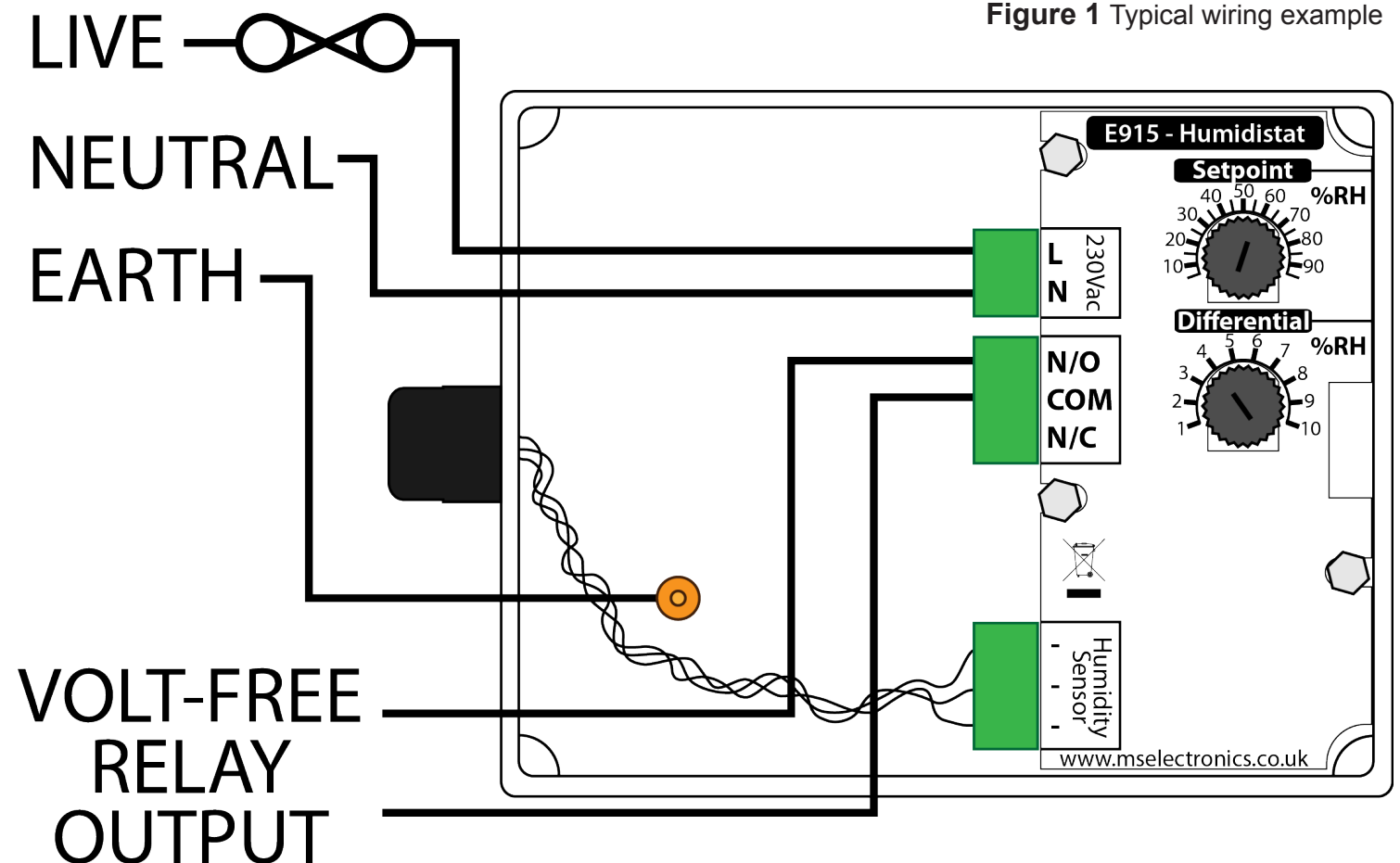
The E915 offers a calibration-free, quality solution to tamperproof humidity control. It utilises a high-accuracy humidity sensor in conjunction with its robust die-cast aluminium case and tamperproof screws to ensure vandal-resistant yet accurate tamperproof energy control.

The E915 regulates to a fully adjustable relative humidity set-point between 5% and 95%, combined with an adjustable relative humidity hysteresis (differential) of anything between 1% and 10%.

Product Wiring

- IMPORTANT:** ensure all electrical connections are isolated before commencing any work on the unit.
- Power to the humidistat is provided via the Live and Neutral input terminals labelled “L” and “N” (230V AC, 50Hz). This supply should be suitably fused (recommended: 1A slow blow).
- NOTE:** This humidistat **MUST** be earthed using the earth terminal provided.
- A voltage-free changeover relay output capable of switching loads of up to 10A, 250V AC (resistive) is provided by the humidistat. Connect to your application in an appropriate manner given the following:
 - The Common “COM” terminal is connected to the Normally Open “N/O” terminal when the sensed relative humidity is above the “Setpoint” humidity.
 - Conversely, the “COM” terminal is connected to the Normally Closed “N/C” terminal when the relative humidity is sensed to be below the “Setpoint” humidity.

Figure 1 Typical wiring example



Installation

1. **IMPORTANT:** ensure all electrical connections are isolated before commencing any work on the unit.
2. Unscrew the 4 security screws using M.S. Electronics tamperproof screwdriver MSD-152 to remove the front cover.
3. Mount the unit securely using any suitable fixing in conjunction with the mounting holes provided in the unit.
4. Connect the wiring as shown in the diagram (or any suitably appropriate form) using the convenient pluggable terminal blocks provided. Make sure to choose the correct output terminals that are suitable to your application (their operation is described in the 'Product Wiring' section).
5. Adjust the internal controls to suit the installation operational requirements (see below).
6. Replace the cover securely using the 4 security screws.

Operation

1. **IMPORTANT:** ensure all electrical connections are isolated before commencing any work on the unit.
2. Adjust the "Setpoint" dial to the relative humidity the room is to be regulated to.
3. Set the "Differential" to the total relative humidity swing either side of the "Setpoint" that the room humidity is required to keep within.
4. Example of a typical set-up:
 - Switch Point set to 55% RH
 - Differential set to 4% RH
 - The unit will maintain the relative humidity between 53% RH and 57% RH.

Technical Specification	
Power supply:	220V - 240V AC 50Hz (live/neutral/earth) 22V - 26V AC or DC [/24V variant only]
Output switch rating:	10A, 250V AC 50Hz (resistive)
Output switch type:	Changeover relay (volt-free)
Humidity control:	5% RH to 95% RH
Humidity differential:	1% RH to 10% RH
Sensor accuracy:	+/- 3% RH
Sensor drift:	+/- 1.2% RH over 5 years (no calibration required)
Guarantee:	5 Years
Weight:	0.33Kg
Dimensions mm:	120mm x 95mm x 35mm

Product Accessories	
MSD-152	M.S. Electronics tamperproof screwdriver
MSD-151	Air temperature sensor (sensor only)
MSD-225	Air temperature sensor (internal, boxed)
MSD-371	Air temperature sensor (internal, faceplate)

Technical Support

For further help or information on this and the other products in the MS Electronics range visit www.mselectronics.co.uk or call 0333 666 1176.

Alternatively, email techsupport@mselectronics.co.uk
Additional copies of this product guide can be downloaded from our website.

Product Warranty

MS Electronics guarantees all their products against manufacturing defects for 5 years from the purchase date. If your product is found to be faulty, MS Electronics will, at their discretion, repair or replace the product free of charge.

Note

Any modification or damage to the outer casing of the product, as well as any damage to the product due to abuse or incorrect wiring may invalidate the guarantee.



e: info@mselectronics.co.uk
t: 0333 666 1176 f: 0333 666 1436



mselectronics.co.uk

Follow us on twitter: [@mselec](https://twitter.com/mselec)

MS Electronics reserves the right to alter or change this specification without prior notice.