

Product Guide

Soft Start Timer with Integrated Pushbutton



today, tomorrow and in the future

mselectronics.co.uk

Product Overview

The SST Soft Start Timer is a fully weatherproof (IP65-rated) solution for controlling electric heaters (such as quartz halogen). It provides timed heat on demand, yielding energy savings by switching off automatically when unattended, whilst prolonging the life of the heater using soft-start and soft-stop technology.

The SST6-PB is operated using a built-in pushbutton, featuring an LED indicator for night visibility and status. When triggered, power is gradually applied to the heater over 3 seconds, reducing stress to the element and electrical supply. After an adjustable time period has elapsed, the heater is turned off in a similar manner.

The SST6-PB-T adds the additional functionality of an integrated temperature sensor. When the outside temperature is sensed to be above the temperature selected, the pushbutton is disabled which prevents heaters from being used during warmer periods.

Product Wiring

1. A suitable means to isolate the electrical supply to the unit must be provided.
2. The power terminals are suitable for use with up to 4mm² conductors. Use round cable of an appropriate rating for the loads to be connected, noting that the **SUPPLY** terminals carry the total load current, as well as powering the control circuitry. Ensure all connections are tight, and free of stray strands.
3. The cable glands are suitable for outer diameters of 7 to 13mm. If more than two load cables are to be connected, use an appropriate junction box. **Do not** pass more than one cable through one gland.
4. One gland is supplied fitted with a blanking plug. If all glands are to be used, remove the plug, otherwise it **must** be left in place to retain the IP rating. It may be moved to another gland if more convenient.
5. When retightening the gland nuts onto the cable, ensure that the rubber sealing ring is correctly in place and that the gland firmly grips the **outer** sheath.

Installation



All electrical installation and maintenance must be carried out by qualified personnel in accordance with the current edition of the IET Wiring Regulations (BS7671).

1. Loosen the four screws to remove the front cover.
2. Mount the unit securely to a vertical surface (away from direct radiation from the heater, and preferably also from direct sunlight) using appropriate hardware with the four mounting holes indicated in Figure 1.
IMPORTANT: The cable glands must face downwards.
3. Make connections as detailed in Figure 1 and the *Product Wiring* section.
4. Adjust the internal controls to suit the operational requirements (see *Setup* below).
5. Before replacing the cover, securely connect its flying lead to the **Front Panel** connector.
6. Reattach the cover securely, alternating between screws in opposite corners to create an even seal.

Setup



Ensure the electrical supply to the unit is isolated before making any adjustments.

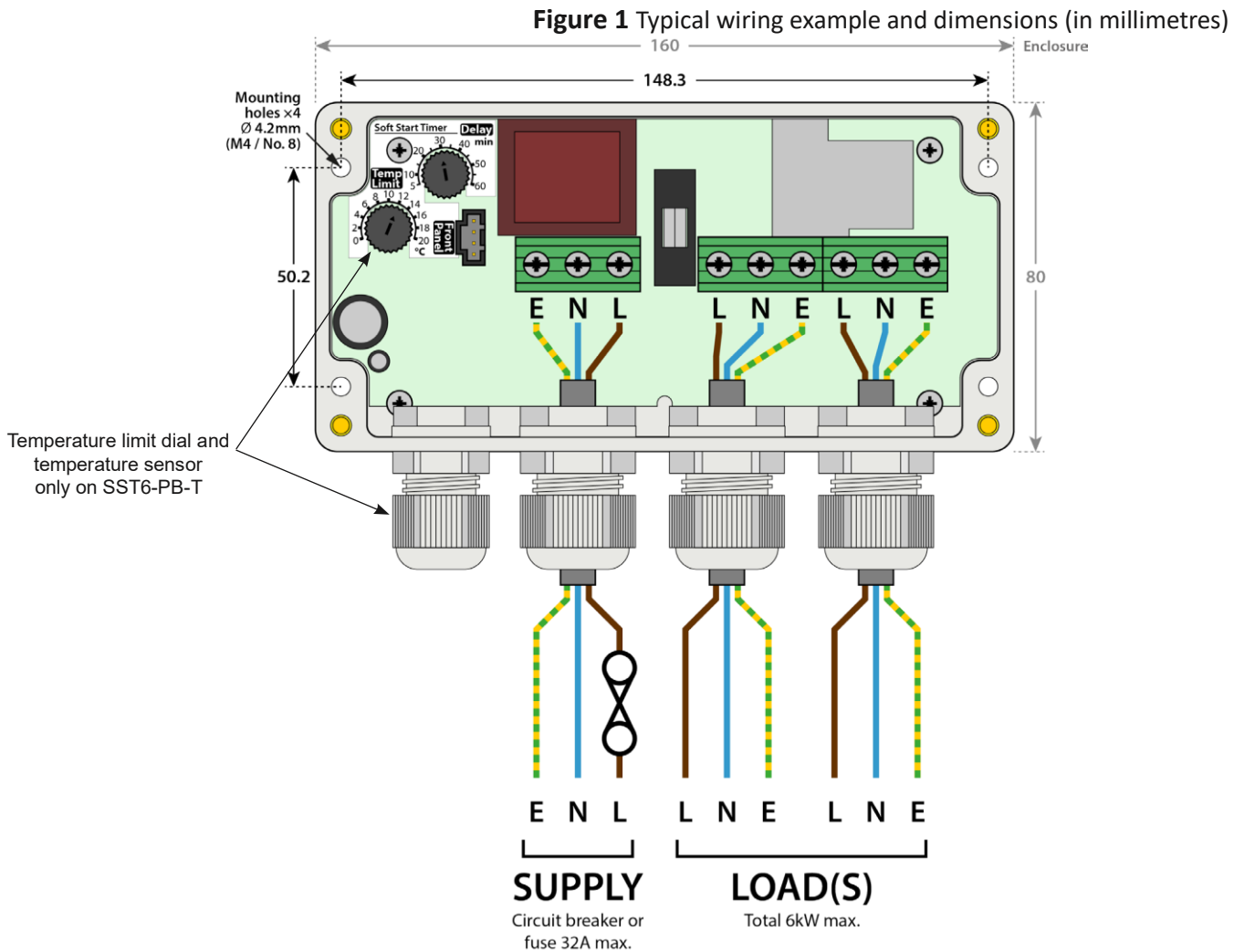
1. If the front cover is installed: Remove the four screws, lift the cover slightly, and carefully pull to disconnect the flying lead from the **Front Panel** connector on the circuit board.
2. Adjust the **Delay** dial to set the period after which the load will automatically switch off, e.g. 30 minutes.
3. *SST6-PB-T only:* Adjust the **Temp Limit** dial to the temperature above which the pushbutton will be disabled.
4. Follow steps 5 and 6 under *Installation* above, to replace the cover.

Operation

1. In standby mode, the LED will glow dimly to enable the pushbutton to be located in the dark.
2. *SST6-PB-T only:* The LED will glow only when the pushbutton is enabled (when the outside temperature is below the temperature selected on the Temp Limit dial).
3. To activate the unit, press the button briefly. The LED will flash rapidly as the load is gradually powered up over 3 seconds, and then light solidly when the soft start is complete.
4. *SST6-PB-T only:* The unit cannot be activated if the outside temperature is above the selected temperature.
5. One minute before the time delay is due to expire, the LED will begin to flash slowly. The unit may be retriggered at any time (resetting the time delay) with a brief press of the button.
6. When the time delay expires, or if the button is held down for 3 seconds, the unit will gradually turn off the heater over 3 seconds (during which the LED flashes rapidly), and then return to the standby state.

Additional operating guidelines:

1. If the unit is retriggered just after it has switched off, there may be a slight delay before the heater starts up. This is normal and helps to protect the unit from overheating.
2. If the LED flashes slowly while the heater is off, the unit has detected excessive use and has temporarily inhibited activation as a protective measure. Wait until the LED has returned to normal (20 to 60 seconds) before reattempting to operate the unit.



Technical Specification	
Power supply:	220V - 240V AC 50Hz (live/neutral/earth)
Load capacity:	35W - 6000W (resistive)
Power consumption (control circuit):	<1W (standby), 2W (active)
Internal fuse (for control circuit):	250V F1A (fast blow), 5 x 20mm glass cartridge
Output type:	Triac soft-start/stop with relay bypass (switched L, common N)
Cable gland capacity:	Supply/Load: M20, for 7-13mm dia. round cable
Time delay:	5 to 60 minutes (continuously adjustable)
Temperature inhibit (SST-PB-T only):	0 $^{\circ}\text{C}$ to +20 $^{\circ}\text{C}$
Operating temperature:	-10 $^{\circ}\text{C}$ to +40 $^{\circ}\text{C}$
Protection rating:	IP65
Guarantee:	3 Years
Weight:	420g
Dimensions (excluding projections):	160mm x 80mm x 55mm

IMPORTANT INSTALLATION NOTICE

The installation of this product should be carried out in accordance with the latest IEE wiring regulations and all wiring completed by a qualified electrician.

Technical Support

For further help or information on this and the other products in the MS Electronics range visit www.mselectronics.co.uk or call 0333 666 1176.

Alternatively, email techsupport@mselectronics.co.uk

Additional copies of this product guide can be downloaded from our website.

Product Warranty

MS Electronics guarantees all their products against manufacturing defects for 3 years from the purchase date. If your product is found to be faulty, MS Electronics will, at their discretion, repair or replace the product free of charge.

Note

Any modification or damage to the outer casing of the product, as well as any damage to the product due to abuse or incorrect wiring may invalidate the guarantee.

e: info@mselectronics.co.uk

t: 0333 666 1176/01708 448566



MS Electronics reserves the right to alter or change this specification without prior notice.